

Combination Low Emission Filler and Overfill Protection Device (OPD) SFL7579V Series

Application

The SFL7579V Series filler valve is for use on ASME containers. This combined filler valve and overfill protection device is designed to provide fast filling and protection against overfilling of vertical and horizontal above ground LPG containers. This is typically installed in the top of horizontal containers.

Features

- Low emission filler valve, will not release more than 2.14cc when disconnected.
- Large flow area for fast filling.
- Resilient seated upper check.
- Stable Overfill Protection Device that is integral to the filler valve.
- Overfill Protection Device will stop the flow of liquid when the 80% level is reached.

Note:

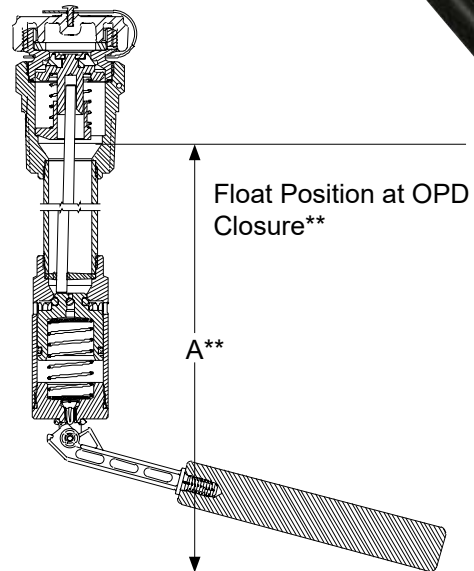
- Must be installed in a vertical position.
- Depending on the application this valve is designed to be used in conjunction with another device such as a fixed liquid level gauge or float gauge in low emission transfer systems.

Materials

Upper body Brass
 Lower body Brass
 Springs Stainless Steel
 Washer and seat disc Synthetic Rubber
 Cap Resilient Molded Plastic
 OPD check Nitrile
 OPD lever and riser Nylon
 OPD float Closed Cell Nitrophenolic



SFL7579V



Ordering Information

Part Number**	ACME Hose Connection	Tank Connection M/NPTF	Wrench Hex Flats	Length A*	Propane Liquid Capacity at Various Differential Pressures GPM			
					1 PSI	25 PSI	50 PSI	75 PSI
SFL7579V13.8	1 1/4" Male	1 1/4"	1 1/8"	14.43"	23	49	54	66
SFL7579V13.0				13.63"				
SFL7579V12.3				12.93"				
SFL7579V11.1				11.73"				
SFL7579V10.6				11.23"				

* Distance from center thread to float at closure.

** Suffix number indicates dip tube length (Fixed liquid level gauge) different lengths available upon request.