

# 1 1/4" Threaded Internal Valve for Small Capacity Pumping Systems and Bobtail Vapor Equalization A3209D & A3209DT Series

## Application

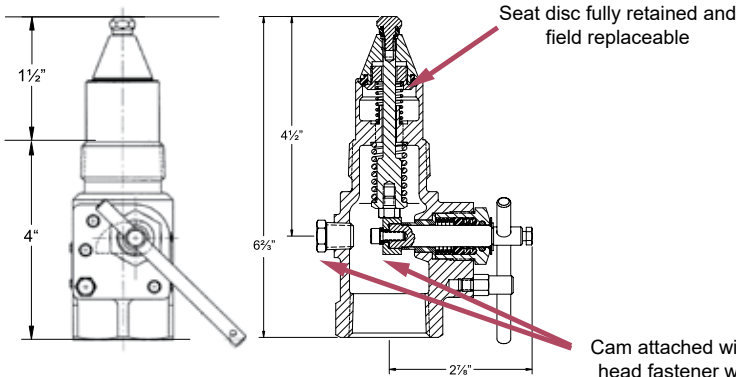
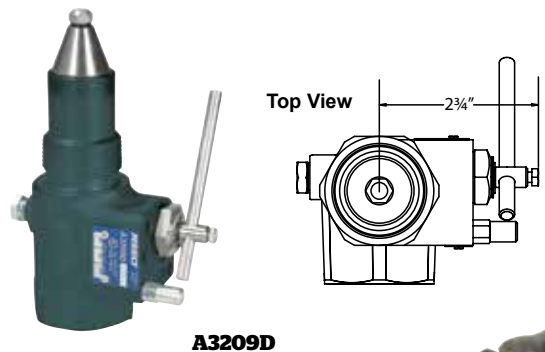
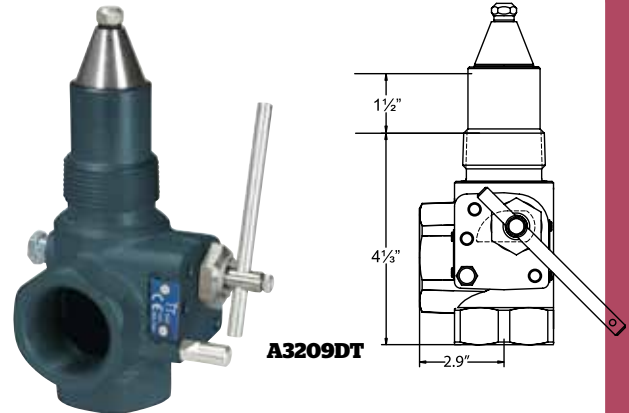
Designed primarily for use with LP-Gas and anhydrous ammonia as a main valve on small capacity pumping systems, NH3 nurse tanks and in-line installations. It may also be installed in the vapor equalizing opening on bobtail delivery trucks. Installation is quick and easy, and it fits in both full and half couplings, as well as, in-line applications. The valve may be actuated manually by hand or cable.

## Features

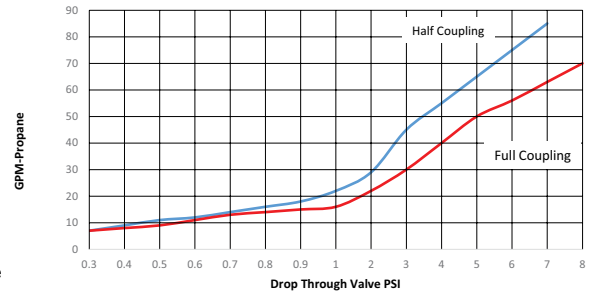
- Valve is compact, with one piece body construction.
- Spring loaded V-packing with heavy duty wiper ring on operating shaft for dependable leak-free construction.
- Nylon bearing supported operating shaft provides smooth, easy operation.
- Simple operating lever allows for easy connection of cable controls.
- Built in excess flow valve
- Return spring forces the valve to the closed position when the lever is released.
- All critical operating components are located in the valve body and inside the container coupling for maximum protection against damage.
- Midway stem position allows for quick pressure equalization.
- Equipped with 212° F, UL listed fuse link for thermal protection.

## Materials

Body ..... Ductile Iron  
 Operating Lever..... Cadmium Plated Carbon Steel  
 Stem ..... Stainless Steel  
 Springs ..... Stainless Steel  
 Seat Disc ..... Resilient Synthetic Rubber  
 Shaft Bearing..... Nylon



A3209D Series



## Ordering Information

Part Number	Inlet Connection M. NPT	Outlet Connection F. NPT	Closing Flow		LP-Gas Vapor Capacity** (SCFH/Propane)		Accessories		
			LP-Gas	NH3	25 PSIG	100 PSIG	Thermal Latch	Pneumatic Actuators	Electric Actuators
A3209D050	1 1/4"	1 1/4"	50	45	13,300	22,900	A3209TL	A3209PA A3209PAF	A3209EA
A3209D080	1 1/4"	1 1/4"	80	72	15,700	26,700			
A3209DT050*	1 1/4"	1 1/4"	50	45	13,300	22,900			
A3209DT080*	1 1/4"	1 1/4"	80	72	15,700	26,700			

\* T-Body Design