

Bronze Globe Valve for Cryogenic Service with Pipe Ends

BB Series



Application

The BB Series globe valves with pipe ends are designed for handling of cryogenic liquids through bulk tanks, trucks, trailers, ISO containers and piping configurations. Our time tested spring loaded stem packing and superior seat design provide for long life and easy maintenance. Internal components are identical with the SKB Series.

Features

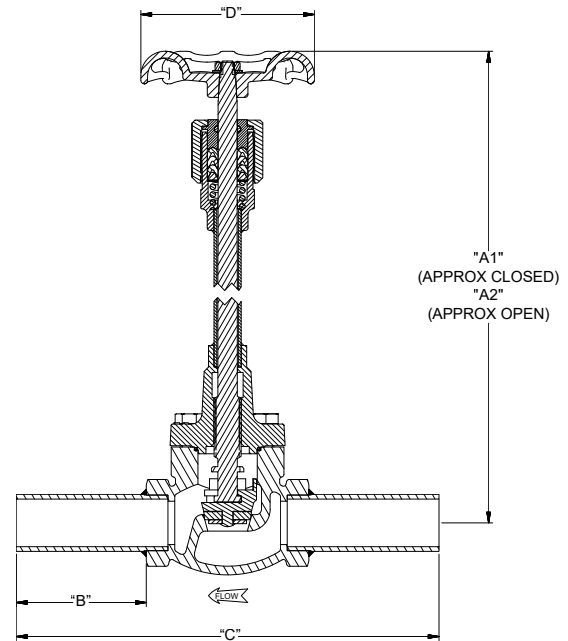
- Superior Flow: Provides high Cv for rapid and reliable loading and unloading
- V-Ring spring loaded packing: provides extended service life without constant packing adjustment
- Conical PCTFE Seat: provides exceptional flow; bubble tight seal; less chance of debris trapped in the seat and longer service life
- Connections: SS pipe extension SCH 10 and SCH 40
- Sizes: 1/2" to 2"
- Bonnet Type: Bolted
- Pressure Rating: 720 psig (50 barg)
- Temperature Rating: -320°F (-196°C) to +150°F (+65°C)
- Service: Liquefied & Vaporized Atmospheric Gases and LNG for Trailers, Bulk Tanks, Iso-Containers and Piping Configurations
- Cleaned for Oxygen Service per CGA G-4.1

Materials

Body	Bronze ASTM B61
Upper Bonnet	Brass ASTM B16
Lower Bonnet	Brass ASTM B283
Stem	Stainless Steel ASTM A582
Spring	Stainless Steel ASTM A313
Packing	PTFE
Gasket	PTFE 25% Glass Fill
Seat Disc	PCTFE ASTM D1430
Seat Retainer	Brass ASTM B16
Bonnet Screws	Stainless Steel ASTM A320
Handwheel	Chromated Coated Ductile Iron ASTM A395



BB9404AA



Ordering Information

Part Number	Size Inches	Size DN	Connection	A1		A2		B		C		D		Cv (Kv)	Weight lbs.	Weight Kg.
				Inches	mm	Inches	mm	Inches	mm	Inches	mm	Inches	mm			
BB9404AA	1/2"	15	SCH 10 Pipe	13.9	353.06	14.4	365.76	3.00	76.2	8.88	225.55	2.00	50.8	5.0 (4.30)	9.13	4.14
BB9406AA	3/4"	20						4.00	101.6	9.55	242.57	2.60	66.04	9.4 (8.10)	9.23	4.19
BB9408AA	1"	25						4.75	120.65	10.79	274.06	3.47	88.13	14.0 (12.10)	9.50	4.31
BB9412AA	1 1/2"	40						4.75	120.65	10.79	274.06	3.47	88.13	28.3 (21.60)	14.19	6.43
BB9416AA	2"	50		15.27	387.85	16.21	411.73	5.25	133.35	11.88	301.75	3.26	82.80	53.0 (45.80)	23.76	10.77
BB9404BB	1 1/2"	15	SCH 40 Pipe	13.9	353.06	14.4	365.76	3.00	76.2	8.88	225.55	2.00	50.8	5.0 (4.30)	9.22	4.18
BB9406BB	3/4"	20						4.00	101.6	9.55	242.57	2.60	66.04	9.4 (8.10)	9.37	4.25
BB9408BB	1"	25						4.75	120.65	10.79	274.06	3.47	88.07	14.0 (12.10)	9.64	4.37
BB9412BB	1 1/2"	40						4.75	120.65	10.79	274.06	3.47	88.13	28.3 (21.60)	14.48	6.56
BB9416BB	2"	50		15.27	387.85	16.21	411.73	5.25	133.35	11.88	301.75	3.26	82.80	53.0 (45.80)	24.19	10.97