

Cryogenic Gas Relief Valves, ASME PRV19430 & PRV29430 Series

Application

The 19430 and 29430 relief valves are designed for oxygen and other industrial gases and for cryogenic service in the vapor space. Apply on piping systems, liquid cylinders or mini-bulk cryogenic containers where an ASME relief valve is required.

Features

- A.S.M.E. rated, National Board Certified
- Bubble tight at 95% of set pressure
- Full flow at 110% at set pressure
- Repeatable performance
- 100% factory tested
- Temperatures Range (Teflon Seat) -320° to +165° F (-196°C to +74°C)
(Fluorosilicone Seat) -60° to +165° F (-51°C to +74°C)
- Cleaned and packaged for oxygen service per CGA G-4.1
- Rated for gas service only
- Color coded labels clearly identify pressure setting range
- Tamper resistant
- In liquid service be sure to use with a candy cane riser (Sold Separately)

Materials SS Style

Body	Stainless Steel
Spring	Stainless Steel
Seat Retainer.....	Stainless Steel
Pipe-Away Adapter	Stainless Steel

Materials PRV and B-Style

Body	Brass
Spring	Stainless Steel
Seat Retainer.....	Brass
Pipe-Away Adapter	Brass

Flow Performance

For set pressures 90 - 600 capacity is 0.692 SCFM of air per psig of flow pressure. For set pressures 15 - 89 capacity is 0.750 SCFM of air per PSIA of flow pressure. Flow pressure per ASME is 10% above set pressure or +3 psig (0.2 barg), whichever is greater.

Ordering Information

Fill in the blanks with options below.

Example: PRV019432T350

PRV	1	9432	T	Blank or "P"	350
Style	Body Material	Size	Seat Material	Drain Hole	Set Pressure

Body Material Option

- 1 ASME approved valve made of brass
- 2 ASME approved valve made of stainless steel

Seat Material Option

- F for Fluorosilicone for 15 to 139 psig (6.2 - 9.5 barg) set points.
T for PTFE for 140-600 psig (9.6 - 41.4 barg) set points.

Drain Hole Option

Leave blank for relief with drain hole. Insert P if no drain hole.

Set Pressure

Enter number for set pressure in psig (6.2 - 41.4 barg) from 15 to 600.

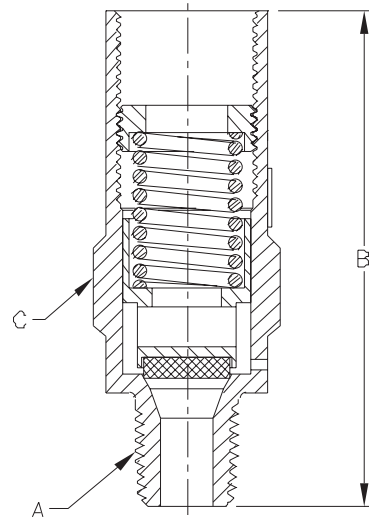
Ordering Information

Part Number	Body and Valves Material	Pressure Setting Range psig (barg)	Inlet MNPT A Inches	Height B Inches (mm)	Wrenching Hex C inches (mm)	Kd value	Orifice Size In2 (mm2)
PRV19432	Brass	15-600 (1.03-41.36)	¼"	2.6" (66.04)	⅞" (22.35)	0.686	.062 (40)
PRV29432	Stainless Steel		¾"				
PRV19433	Brass		¾"				
PRV29433	Stainless Steel		¾"				
PRV19434	Brass		½"	2.8" (71.12)			
PRV29434	Stainless Steel		½"	2.8" (71.12)			

Pipe-away adapter options available (sold separately)
Drain hole can not be used with pipe-away



19430 Series



The use of a candy cane riser is recommended for liquid phase installation of these PRVs.

Setpoint tolerance is ± 3% of the set pressure or ± 2 psig whichever is greater.

WARNING: Inspection and maintenance of pressure relief valves is very important. Failure to properly inspect and maintain pressure relief valves could result in personal injuries or property damage. The useful safe service life of a pressure relief valve may be significantly affected by the service environment.