

Cryogenic Liquid Cylinder Regulator LCR Series

Application

The RegO LCR Series pressure reducing regulator assembly controls the pressure from the gas use line or the discharge of any liquid cylinder with a flow capacity at least double the capacity of the cylinder vaporization coil. For use with oxygen, nitrogen, argon, or carbon dioxide liquid cylinders.

Features

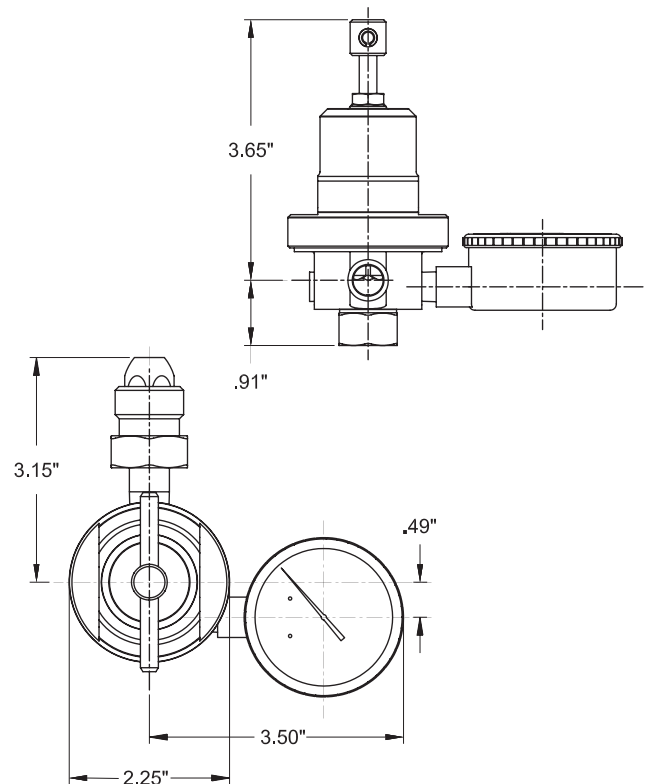
- Easy adjusting screw to maintain pressure setting
- 100% Factory tested
- CGA fitting inlet connection for ready hook-up and 1/4" F. NPT outlet.
- Gauges with applicable pressure ranges.
- Two delivery pressure ranges available.
- Clean for use in Oxygen per CGA G-4.1
- Temperature range -320°F (-196°C) to + 165°F (74°C)
- Maximum inlet pressure 550 psig (37.9 barg)
- Inlet filter helps prevent foreign material from entering the regulator.



LCR Series

Materials

Body & Bonnet.....	Brass
Seat	PTFE
Spring & Nut	Stainless Steel
Diaphragm Gasket.....	PTFE
Diaphragm	Bronze
Backcap Gasket	Copper



Ordering Information

Part Number	Gas	Liquid Cylinder Connection	Delivery Pressure Range
LCR200A580	Nitrogen/Argon	CGA 580	25 to 200 psig (1.7-13.8 barg)
LCR200A540	Oxygen	CGA 540	
LCR200A320	Carbon Dioxide	CGA 320	25 to 200 psig (1.7-13.8 barg)
LCR350A580	Nitrogen/Argon	CGA 580	100 to 350 psig (6.9-24.1 barg)
LCR350A540	Oxygen	CGA 540	
LCR350A320	Carbon Dioxide	CGA 320	