

RegO® LNG Check Valves NG301 Series

Application

For use with LNG liquid lines as an effective shut-off utilizing ball and spring mechanism. 1/8" design fits compact piping systems. Heavy-duty spring and precision ball provide dependable service in LNG fuel applications.

Features

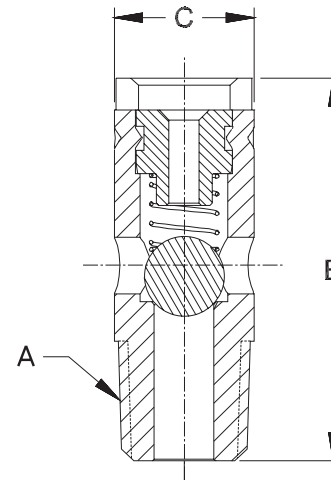
- Materials selected specifically for compatibility with LNG
- Quick acting ball and spring mechanism.
- Metal to metal seating provides durable service life.
- Maximum inlet pressure 1000 psig (69 barg).
- 100% factory tested.
- Temperature Range: -320° F to 165°F (-196°C to 74°C).
- Designed in accordance with & approved by ECE R110.



NG301

Materials for NG301

BodyBrass ASTM B16 C36000
 Spring Stainless Steel 302 ASTM A313
 PlugBrass ASTM B16 C36000
 Ball..... Stainless Steel 316



NG301

Ordering Information

Part Number	Body Material	Connection (A)	B	C	Weight Lbs	Silver Plated End Piece
NG301	Brass	Threaded MNPT F 1/8"	1.200	.438	0.01	N/A